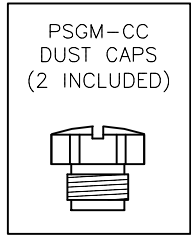
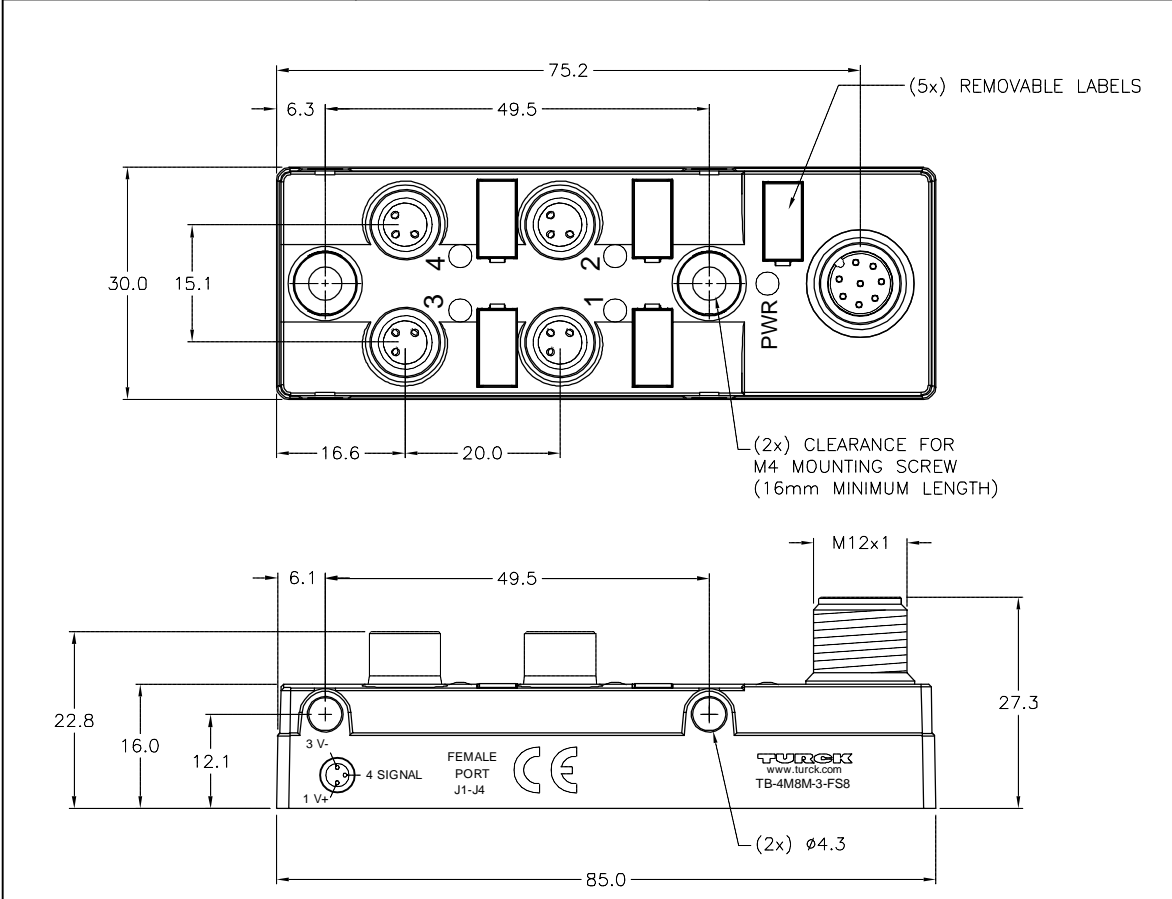


SPECIFICATIONS	
HOUSING MATERIAL/COLOR	NYLON/BLACK
RECEPTACLE MATERIAL/PLATING	BRASS/NICKEL
CONTACT CARRIER MATERIAL	NYLON
O-RING MATERIAL	FKM/FPM
CONTACT MATERIAL/PLATING	BRASS/GOLD
OPERATING VOLTAGE	125 VAC/VDC
OPERATING CURRENT	2.0 A PER SIGNAL 2.0 A TOTAL
PROTECTION CLASS to DIN 40050	IEC IP67, IP68, IP69K: ONLY WHEN ALL RECEPT. ARE COVERED WITH PLUGS OR CONNECTED
OPERATING TEMPERATURE	-40°C to +85°C (-40°F to +185°F)
MATING CORDSET	RKC 8.6T



**SOURCE DRAWING - FOR REFERENCE ONLY**

<p><b>RELATED DOCUMENTS</b></p> <ol style="list-style-type: none"> <li>1.</li> <li>2.</li> <li>3.</li> <li>4.</li> </ol>					<p><b>3RD ANGLE PROJECTION</b></p>		<p>THIS DRAWING IS CONFIDENTIAL AND THE PROPERTY OF TURCK INC. USE OF THIS DOCUMENT WITHOUT WRITTEN PERMISSION IS PROHIBITED.</p>		<p>3000 CAMPUS DRIVE MINNEAPOLIS, MN 55441 1-800-544-7769 (763) 553-7300 (763) 553-0708 fax www.turck.us</p>		
<p><b>MATERIAL</b></p> <p>SEE SPECIFICATIONS</p>					<p><b>DRFT</b> RDS    <b>DATE</b> 11/02/17</p> <p><b>APVD</b> L.F.    <b>SCALE</b> 1=1.0</p>		<p><b>DESCRIPTION</b></p> <p>TB-4M8M-3-FS8</p>				
<p><b>FINISH</b></p> <p>SEE SPECIFICATIONS</p>					<p>ALL DIMENSIONS DISPLAYED ON THIS DRAWING ARE FOR REFERENCE ONLY</p>		<p><b>UNIT OF MEASUREMENT</b></p> <p><b>MILLIMETERS</b></p>		<p><b>IDENTIFICATION NO.</b></p> <p>U2-28812</p>		<p><b>REV</b></p> <p>C</p>
<p><b>C</b> ADD CE    <b>NF</b> 01/14/19    68151</p>					<p><b>CONTACT TURCK FOR MORE INFORMATION</b></p>		<p><b>DO NOT SCALE THIS DRAWING</b></p>		<p><b>FILE:</b> U2-28812</p>		<p><b>SHEET</b> 1 OF 1</p>
<p><b>REV</b> DESCRIPTION    <b>BY</b>    <b>DATE</b>    <b>ECO NO.</b></p>											